

# Polivac Terminator Carpet Extractor Machine



## Operations Manual & Trouble Shooting Guide

# **Polivac Terminator Carpet Extractor Machine**

## **Technical Specification**

**Vacuum system 2 x 1100 watt 2 stage tangential motors**  
**Solution Pump 1 x 220 psi sealed electric pump 240v 10A**  
**Fibreglass body with Aluminum sub frame**  
**Switches 3 x Red self-illuminating push button switches.**  
**Water capacity Solution tank 50 litres**  
**Recovery tank 20 litres**

### **Standard cleaning equipment included**

**1 x 5 mtr solution hose**  
**1 x 5 mtr vacuum hose**  
**1 x 12 inch 2 jet wand**  
**1 x 15mtr Power cable**



1. 240v power socket inlet.
2. Vacuum # 1 on/off switch
3. Vacuum # 2 on/off switch
4. Solution Pump on/off switch.



1. Solution outlet fitting.
2. Waste water dump valve



Pictured above shows the waste water dump valve in the up position allowing the water to be emptied & disposed of. The valve is a slide gate sealed unit that only requires operator to lift up to dispense water & to push down to close. Ensure valve is completely closed before operation to obtain maximum suction.



Pictured above is the water cut off system used in the Terminator. The Float switch cut off waste water from entering the vac motors.  
This is the working position of the float.

- 1)Please note once dirt water level reach the float switch trigger, whole machine will stop working.
- 2)User should then switch off all 3 X round switches. then empty the dirt water tank using dump valve.
- 3) please check filter. □there may be larger dirt stuck on it.if so need to remove them for better suction. particles stuck there.if so please remove them
- 4)User can start the job again.



The above picture shows the exhaust point for the vacuum motors. If at any stage the operator experiences water coming from this point it indicates Foam is passing by the filter & this needs to be stopped. Water coming from this point Can only come thru the vac motors. To prevent foam build up, use an antifoaming Chemical agent. Do so by pouring a small amount of antifoam solution directly into Waste tank prior to steam cleaning.

Fig 7



1 x 5mtr solution hose

Fig 8



1 x 12" Floor Wand

Fig 9

# Operational instructions for Terminator

1. Connect power cable to 240v socket inlet (Fig 1 # 1)
2. Connect the male end of solution hose (Fig 8) to the solution outlet on machine (Fig2)
3. Connect the female solution hose end to the male connection of the wand trigger (Fig 9)
4. Take the G-vac hose (Fig7) & connect to the wand end & the inlet on the dome.
5. Fill unit with hot or cold water Note Do not exceed 50 degrees Celsius for hot wa  
this will weaken & damage internal pump seals.
6. Engage both vac switches & pump switches to start operation. Depress brass trigger to release  
Water & cleaning has begun.

## Trouble shooting guide

### Lack of Vacuum

Check that the dump valve is closed & sealing,

Ensure dome lid is seated correctly & tightly sealed

Check that both vac motors are working & switched are illuminated red.

Please check whether dirt water is full in the recovery tank. if so machine will stop compleatly.

Check wand mouth to ensure it is not obstructed.

Check suction hose for any holes or splitting.

### Low or fluctuating pressure

Check sufficient water levels.

Check the pump switch to ensure power is available

Check wand jets for blockages.

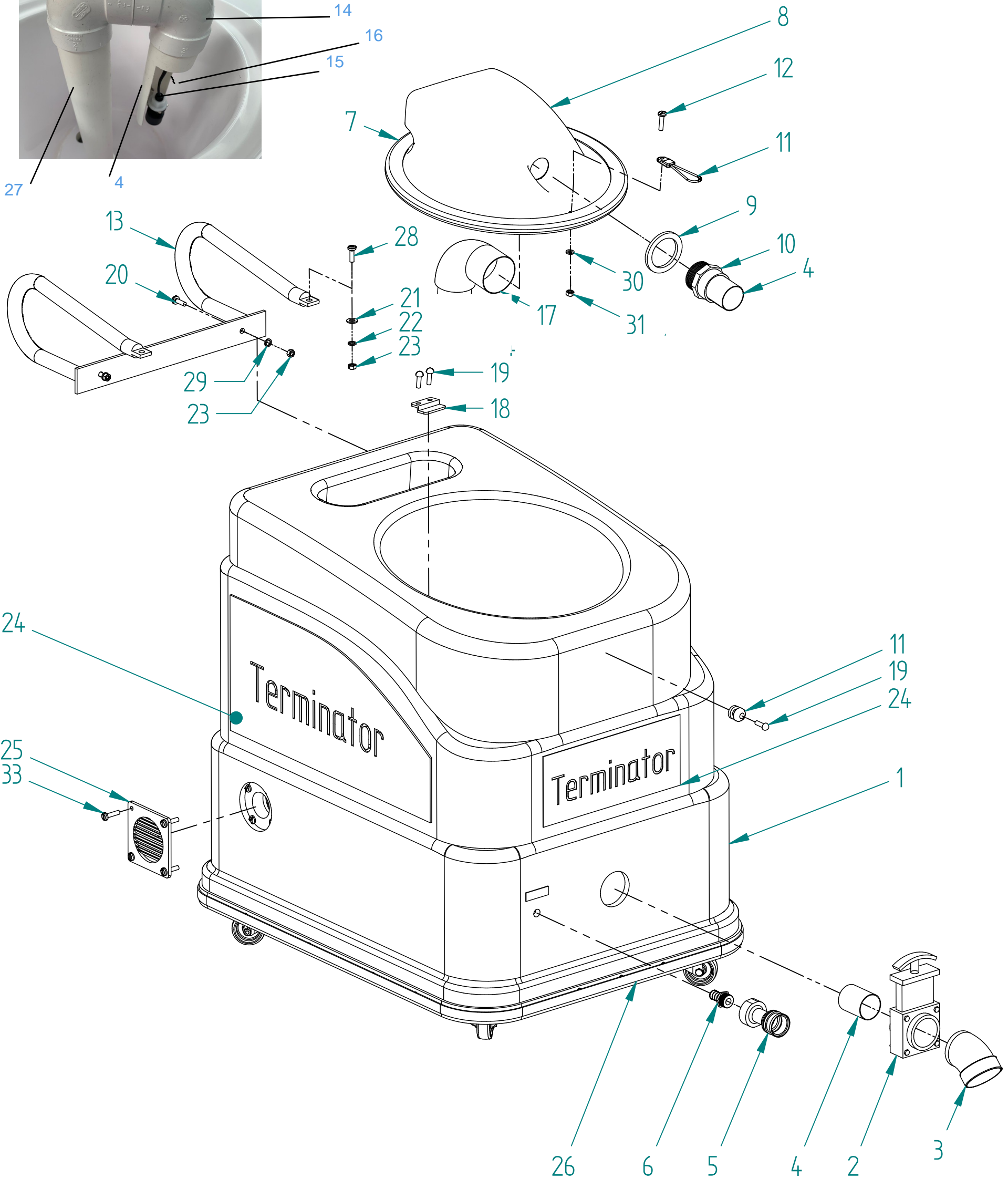
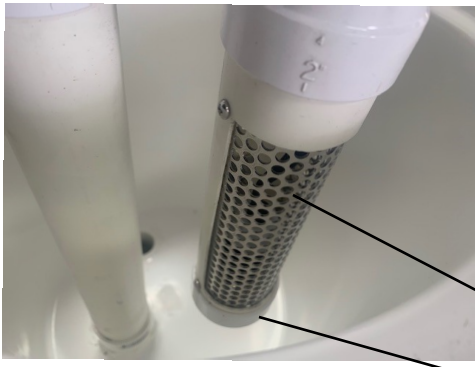
Check that solution filter in rear tank is clean & free from any obstructions.

if Debris stuck inside the unloader valve then Pressure may fluctuate.( This must be checked by a Technician)



# Terminator

## Cabinet Assembly

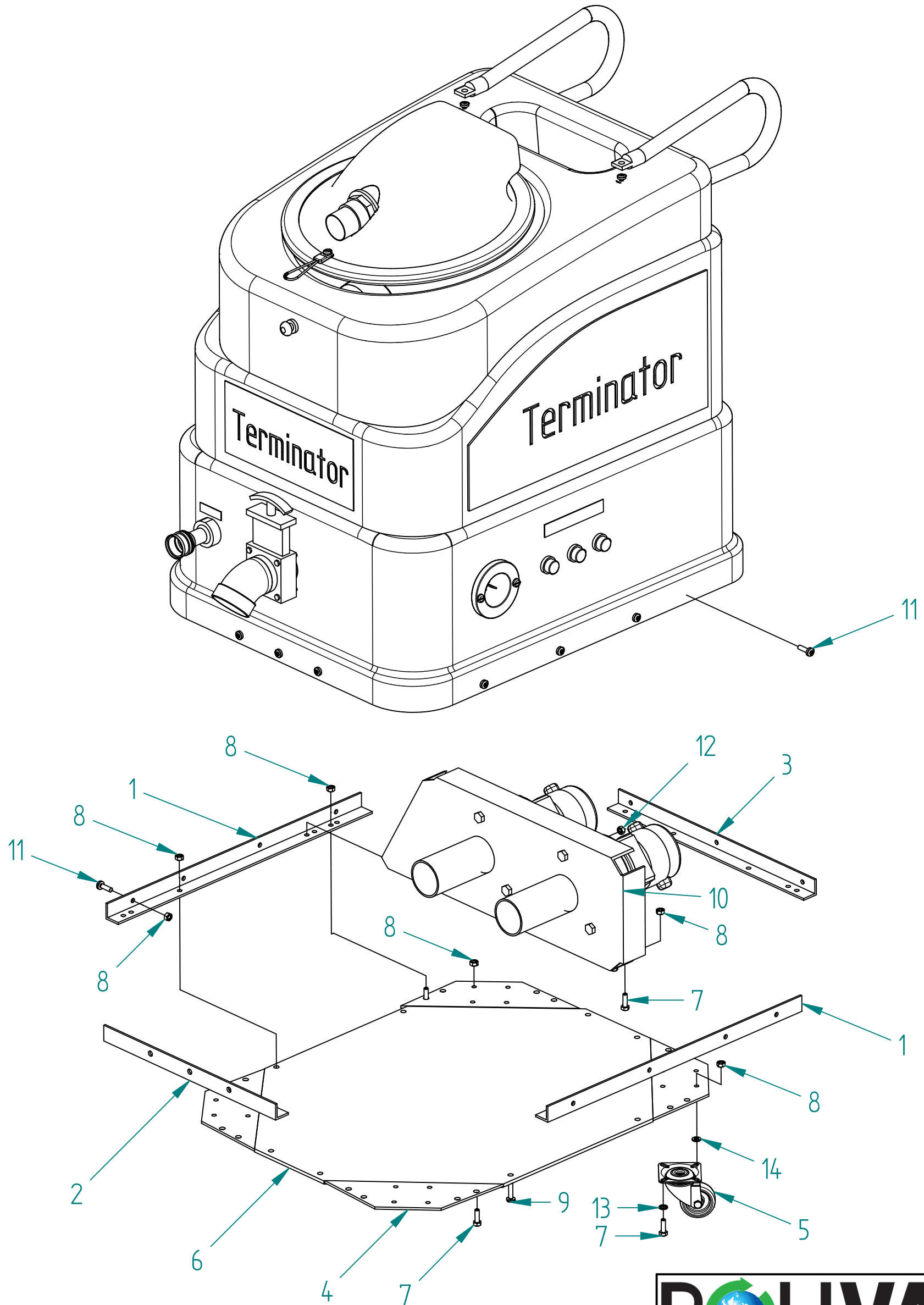


## Terminator

### Cabinet Assembly Part List

| No | Code   | Description                 | No | Code   | Description        |
|----|--------|-----------------------------|----|--------|--------------------|
| 1  | PPT000 | Fibreglass Body             | 27 | PM037  | 50 mm Pipe         |
| 2  | PM054  | Dump Valve                  | 28 | PPR103 | Screw              |
| 3  | PPR029 | Dump Valve Spout            | 29 | PPR128 | Washer             |
| 4  | PM027  | Pipe 40 mm                  | 30 | PVT025 | Flat Washer        |
| 5  | PPR080 | Female Connector            | 31 | PPR095 | M4 Nyloc           |
| 6  | PPR051 | Brass BRB                   | 32 | PM001  | Socket             |
| 7  | PM031  | Dome Seal                   | 33 | PVT029 | Pan Phillips       |
| 8  | PM035  | Dome Complete               | 34 | AAK838 | Rivet              |
| 9  | PPR030 | Seal                        | 35 | PPR035 | Float Ball         |
| 10 | PM064  | 1.1/2" Male Socket          | 36 | PPR013 | Filter Screen      |
| 11 | PPR135 | Button & Loop Set           | 37 | PM037A | Cap for the Filter |
| 12 | PPR098 | 4 X 16 mm Pak Phillip       |    |        |                    |
| 13 | PM028A | Pullman / Terminator handle |    |        |                    |
| 14 | PM055  | Plastic Elbow               |    |        |                    |
| 15 | PPR144 | Float Switch                |    |        |                    |
| 16 | PPT022 | Float Switch Bracket        |    |        |                    |
| 17 | PM033  | 90 Deg Elbow                |    |        |                    |
| 18 | PPR114 | Dome Latch                  |    |        |                    |
| 19 | AAK854 | Rivet                       |    |        |                    |
| 20 | PPR177 | Screw                       |    |        |                    |
| 21 | VLB608 | Rubber Washer               |    |        |                    |
| 22 | PPR104 | Washer                      |    |        |                    |
| 23 | PPR096 | Nyloc                       |    |        |                    |
| 24 | PPT010 | Terminal Label (one set)    |    |        |                    |
| 25 | PPR049 | Vent Cover                  |    |        |                    |
| 26 | PPR002 | Continental Trim            |    |        |                    |

# Terminator Frame Assembly



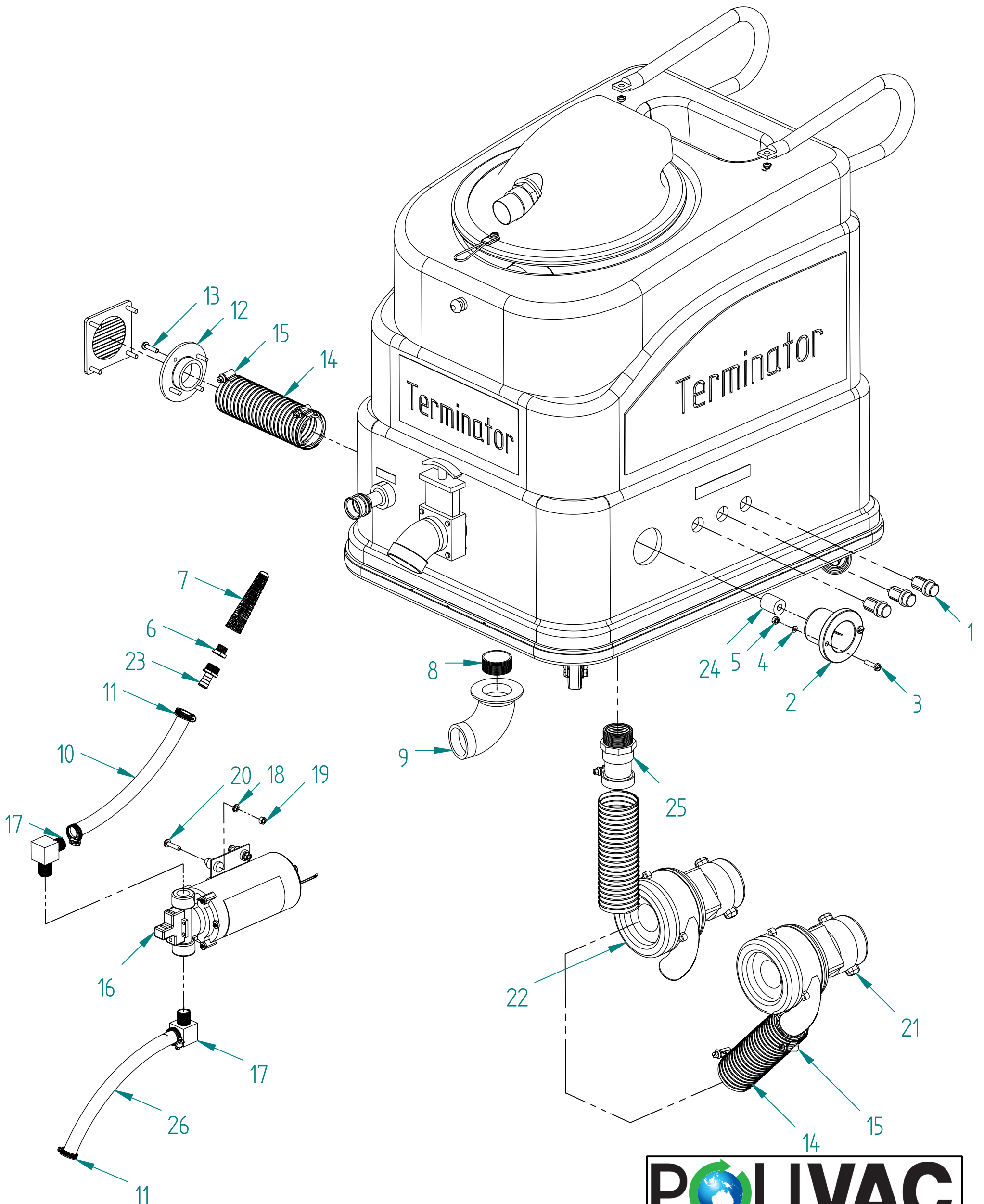
# Terminator

## Frame Assembly Parts List

| No | Code   | Description                    |
|----|--------|--------------------------------|
| 1  | PPR005 | Side Frame 25x25x3x390 mm      |
| 2  | PPR006 | Front Frame 25x25x3x320 mm     |
| 3  | PPR007 | Rear Frame 25x25x3x360 mm      |
| 4  | PPR009 | Wheel Plate                    |
| 5  | PPT003 | Castor Wheel                   |
| 6  | PPT002 | Bottom Cover                   |
| 7  | PPR090 | 6 X 20 mm SS                   |
| 8  | AAA354 | 6 mm Nyloc Nut                 |
| 9  | PVT029 | Pan Phillips                   |
| 10 | PPT001 | Vacuum Motor Plate             |
| 11 | PPR091 | 6 x 20 mm c/ Sunk Bolt         |
| 12 | AAF141 | Nyloc Nut                      |
| 13 | AAG236 | Washer 1/4" x 5/8" Zinc Bright |
| 14 | AAG365 | Washer                         |

# Terminator

## Under Carriage Assembly



## Terminator

# Under Carriage Assembly Parts List

| No | Code    | Description               |
|----|---------|---------------------------|
| 1  | PPR022  | Round Switch              |
| 2  | PPR048  | Inlet Socket              |
| 3  | PPR098  | Pan Phillips              |
| 4  | PVT025  | Stainless Washer          |
| 5  | PPR095  | Nyloc Nut                 |
| 6  | PPR059A | Reducer                   |
| 7  | PPR032  | Monel Screen              |
| 8  | PM064   | Female to Male Adaptor    |
| 9  | PM032   | 90 Deg Female with Flange |
| 10 | PPR039A | Red Hose 3/8"             |
| 11 | PPR042  | Hose Clamp 13-20          |
| 12 | PPR044  | Muffler end Cap           |
| 13 | PPR105  | C/ Sunk Phillips          |
| 14 | PPR040  | Silver flex Hose          |
| 15 | PPR043  | Hose Clamp 40-55          |
| 16 | PPR189B | 220 PSI Diaphragm Pump    |
| 17 | GAS035  | Brass Elbow               |
| 18 | SLB039  | Flat Washer               |
| 19 | PPR095  | Nyloc Nut                 |
| 20 | PPR212  | 4 X 30 mm Pan Phillips    |
| 21 | PVT002  | Vac Motor                 |
| 22 | COM086  | Motor Seal                |
| 23 | PPR051  | Brass BRB                 |
| 24 | PPR138  | Round Ferrite             |
| 25 | PM064   | Female to Male Adaptor    |
| 26 | PPR039  | Yellow Hose 3/8"          |

# WARRANTY POLICY

1. When a warranty repair is requested, the purchaser must first contact any of Polivac's authorized Service Centres with proof of purchase and details of the alleged defect. In most instances, the request for warranty brought to the attention of our Service Centres or Agents is handled in a prompt routine manner with no question as to its validity. However, some requests for warranty are not justified. In these cases, product owners will be made aware that the premature failure of their product was the result of a cause not covered by Warranty.
2. The Polivac warranty covers only DEFECTIVE MATERIAL and/or DEFECTIVE WORKMANSHIP. It does not cover labour.
3. Polivac products are warranted for twelve (12) months from date of purchase by the original purchaser against faulty workmanship or material. The warranty covers only the replacement, repair or adjustment of any part which in the opinion of Polivac fails because of a fault in materials or workmanship:
  - a) drive motors and gearbox assemblies on electrical products carry a two (2) years warranty
  - b) bodies of carpet extraction products and vacuum cleaners carry a three (3) years conditional warranty.
  - c) battery warranty of twelve (12) months is as provided by the manufacturer. Terms available on request.
4. Where the product has been rented out by a Hire or similar company, the warranty period is reduced to three (3) months.
5. This warranty does not cover service calls, travelling time or consumable parts - e.g. drive belts, chains, flexible skirts or hoses, dust bags, mains leads, brushes, buffers, buffer strips, sanding discs, light bulbs, nozzles, filters, pressure pumps, piston seals, diaphragms, squeegees and like items.
6. In the case of proprietary components used by the manufacturer in the product, such as engines, electrical motors, chargers and the like, Polivac will pass on any warranty provided by the manufacture of such items.
7. Accidental damage, abuse, misuse or neglect of the product is not covered by warranty.
8. Fair wear and tear and where the product has been used other than for the purpose for which it was designed is not covered by warranty.
9. Use of non-approved chemicals and detergents in the product will void the warranty.
10. Products that have been modified are not covered by warranty.
11. Products that have not been serviced at their recommended intervals by an authorised Polivac Service Centre or Agent are not covered by warranty
12. Damage to, or failure of, the product which has resulted from low or high voltage, the use of an incorrectly sized extension lead, or a coiled electrical extension lead is not covered by warranty.
13. Repairs carried out on the product by any person other than an authorized Polivac repairer will void the warranty.
14. All freight charges to and from the manufacturer, agent or service centre will be the responsibility of the distributor.
15. A charge for traveling time and labour will be applicable for on-site warranty service.
16. Polivac reserves the right to replace defective parts of the product with parts or components of similar quality, grade and composition where an identical part or component is not available. Goods presented for repair may be replaced by refurbished goods of the same type rather than being repaired.

**POLIVAC WARRANTY IS SUBJECT TO THE LAWS AND REGULATIONS OF THE INDIVIDUAL STATES AND COMMONWEALTH TERRITORIES OF AUSTRALIA. THIS WARRANTY IS NOT TRANSFERRABLE.**

