



POLIVAC C25TS TWO SPEED POLISHER / SCRUBBER



Operations Manual & Trouble-Shooting Guide



How to operate a C25TS Floor Polisher / Scrubber

Please find the following correct operating procedure for the operation of the Polivac C25TS Floor Polisher / Scrubber

1. Plug in power cable. Power supply will be visible via the red light on the top of the handle.
2. Tilt the machine back by using the handle.
3. a) Place the Brush or Pad Holder over the 3 Leaf clover connection and turn it clockwise to lock the Brush/Pad Holder into position.
b) If the connection has a brass 3 puck clutch fitted, locate the Brush/Pad Holder on the metal drive clutch, by slotting grooves together, then turn Brush/Pad Holder sharply to the left.
4. Once the Brush/Pad Holder is fitted, stand the machine back up.
5. Slightly lift the handle up and manoeuvre the wheels backwards and up out of the way (the wheels must be off the floor when polishing).
6. The handle height must be adjusted to suit individual operators body proportions.
Adjust the ergonomic handle to the correct height by placing your foot or hand on the ratchet lever, then positioning the handle. The correct height of the handle is around the groin region.
7. When the handle is set at the correct height, the arms should grip the handle in a comfortable, but loose manner (if your arms are bent at the elbows this is an indication that you are applying too much effort to control the machine) Re-adjust the handle.
8. To start the machine, first you must depress the red safety button that is next to the hand trigger, then grasp either of the red triggers, and the motor will engage the brush. Do not force the trigger without first releasing the safety button as this will damage the safety release in the trigger mechanism. Once the machine is on, the safety button can be released.
9. Always start the machine at high speed, please do not start the machine in slow speed mode.



10. To facilitate the correct swinging motion of the machine, lift the handle slightly forward to get the polisher to move to the right and lower the handle to get the machine to move to the left. This requires minimal effort. So, if you are fighting the machine for control you have the handle set at the wrong height or your pad or cloverleaf locking mechanism is damaged.
11. Ensure that brushware is removed from the machine after use and before storing machine away.

Rotary Polisher - C25TS

Drive & Base Assembly - Part List

No	Code	Description
1	VPA424	Skirt-Powder Coated
2	AAG237	Washer 1/4" x 3/4" Zinc Bright
3	AAF140	Nut Nyloc 1/4" UNC
4	PPR002	Continental Trim
5	SLB035	Rivet ASL 5-6
6	PC40B1	Brush Assembly
7	VPV218	Retaining Pin-Axle
8	VPV170	Axle-Wheel
9	VPA571	Wheel-Rubber Tyre
10	GCA292	Ratchet Cap 12 mm
11	AAG470	Washer 1/2" x 1" Zinc Bright
12	VPA355	Pin-Wheel Retain
13	VWA634	Bush Nylon
14	VPA950	Handle retaining pin
15	VPA954	Clip
16	AAD061	Bolt 5/16" x 1.1/2" Zinc
17	AAG385	Washer 5/16" x 7/8" 16G Z/P
18	VPA782	Spacer
19	VPA139	Torsion Spring
20	VPA138	Lever-Ratchet
21	SLB043	Nut Nyloc 5/16" UNC
22	VPA975CMG	Drive Motor{VPV482CMG - Motoring gearbox}
23	VPA177	Base Lugged
24	AAG236	Washer 1/4" x 5/8" Zinc Bright
25	AAA564	Bolt 1/4" NC x 3/4" Zinc High Intensity
26	VPA104	Oil Seal Top

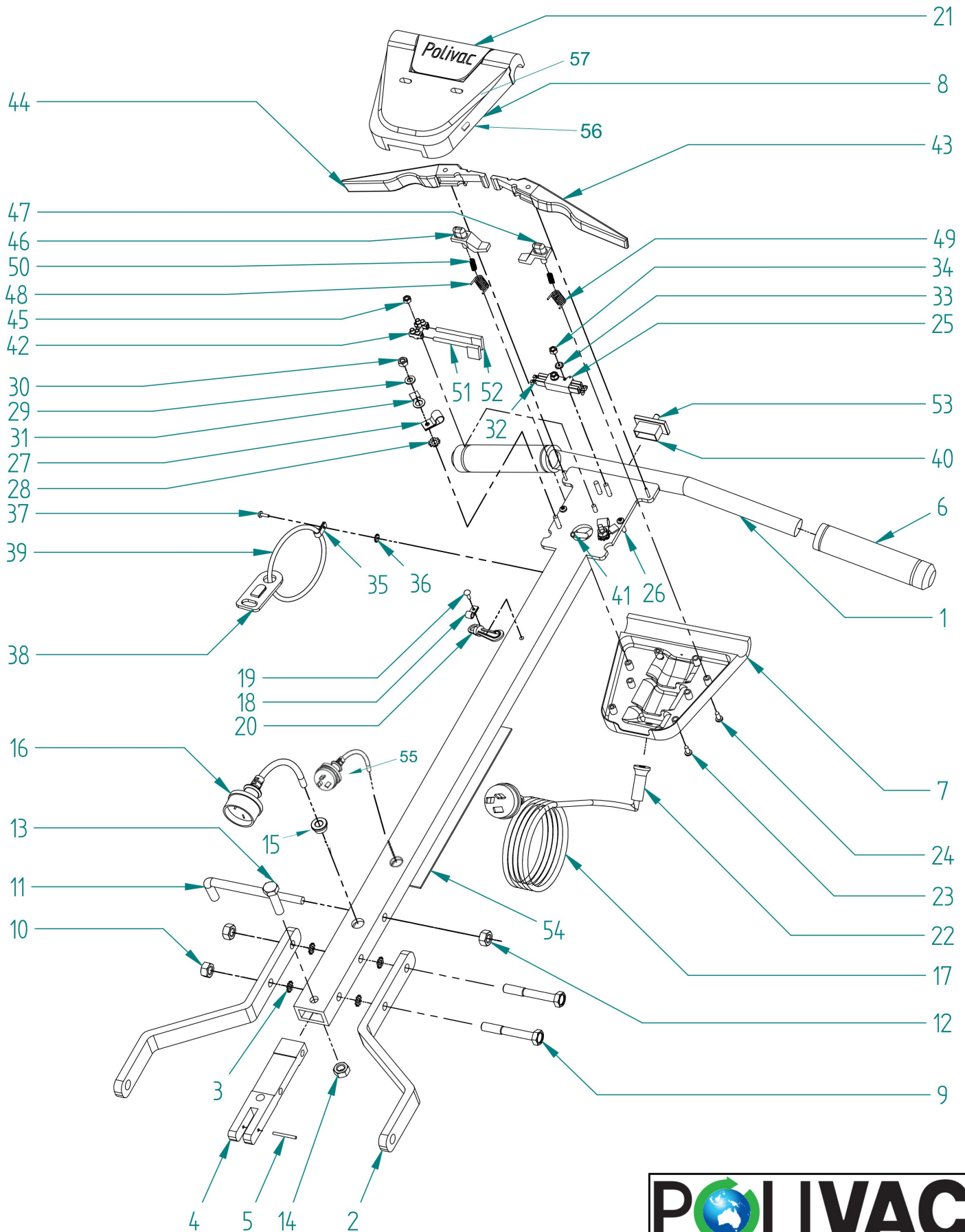
Rotary Polisher - C25

Drive & Base Assembly - Part List

No	Code	Description
27	AAG236	Washer 1/4" x 5/8" Zinc Bright
28	AAD041	Bolt 1/4" x 1.1/4" Zinc
29	VPA121	Washer Wavy
30	VPA570	Bearing-Top
31	VPA116	Gear Shaft
32	VPA411	Drive Gear
33	VFB115	Key-Gear Shaft
34	VPA118	Oil Seal-Bottom
35	VPA113	Gear Cover
36	VPA114	Bearing-Bottom
37	VPV251	Gasket tape body to skirt
38	VPA122	Washer Tab 1/2" OD x 1.4"
39	AAA564	Bolt 1/4" NC x 3/4" Zinc High Intensity
40	VPA412	Quick Release Adaptor
41	AAA628	Cap Screw 5/16" x 1" Socket HD
42	LAB001	Label
43	LAB003	Label
44	VLB119	2 SPEED FM ROUND EARTH

Suction Polisher - C25TS

VPV610 Handle



Suction Polisher - C25TS

VPV610 Handle - Part List

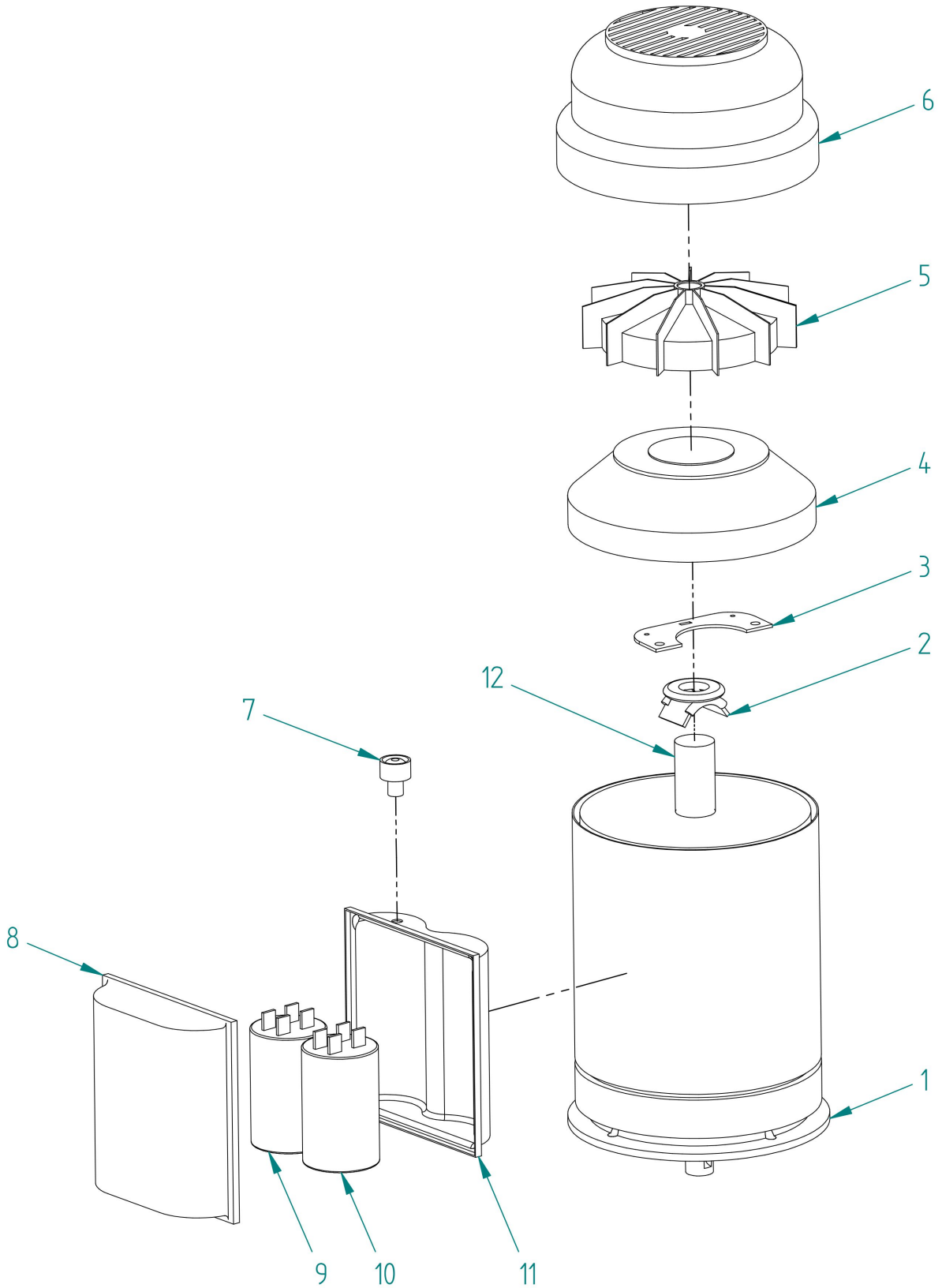
No	Code	Description
1	VPV611	Handle Stem
2	VPA767	Fork
3	AAJ460	Star Washer
4	VPA231	Tongue Assy
5	VPA821	Roll Pin
6	VPV605	Handle Grips
7	VPV601	Rear cover
8	VPV600	Front Cover
9	AAD039	Bolt
10	AAF140	Nut Nyloc 1/4" UNC
11	VPA765	Lead Hook
12	AAF140	Nut Nyloc 1/4" UNC
13	AAD041	Bolt
14	AAF140	Nut Nyloc 1/4" UNC
15	VPA841	Grommet
16	VPA618	Stem Lead Assy
17	VPV475	Mains Lead Assy (15m)
18	PVS070	Plastic Clamp
19	AAK829	Pop Rivet
20	VPV120	Dust Bag Hook
21	VPV607	Polivac Handle Label
22	ECG157	Lead Protector
23	AAA523	Screw
24	AAA522	Screw
25	VPA631	Cherry Switch
26	AAA525	Screw

Suction Polisher - C25TS

VPV610 Handle - Part List

No	Code	Description	No	Code	Description
27	VPA622	Clamp	53	ZDR078	Neon Indicator
28	AAJ451	Star Washer	54	VPV562	Label
29	AAG150	Washer	55	VLB120	2 Speed Male Round Earth
30	AAE271	Nut	56	VVA224	Switch 3 pin 2 Speed
31	AAM702	Earth Terminal	57	VPA006	Label "High/Low"
32	AAM704	Flag Terminal			
33	AAJ002	Star Washer			
34	AAE200	Nut HVHD 1/8" ZP Pressed			
35	VVA019	Clamp			
36	AAJ451	Star Washer			
37	AAK829	Pop Rivet			
38	BV8003	Strain Relief			
39	BV8004	'O' Ring			
40	VPA639	Cap			
41	VPA926	Sleeve Insulation			
42	AAM601	Terminal Block			
43	VPV602	Left Trigger			
44	VPV603	Right Trigger			
45	AAE200	Nut HVHD 1/8" ZP Pressed			
46	VPV604R	Safety Button Right			
47	VPV604L	Safety Button Left			
48	VPA632R	Spring Right			
49	VPA632L	Spring Left			
50	VPV606A	Spring			
51	VPA626	Blue Wire			
52	VPA628	Brown Wire			

VPV482CMG



VPA482CMG

Drive Motor Parts List

No	Code	Description
1	VPV810CMG	Range Endshield (Drive End)
2	VPV806CMG	Centrifugal Switch
3	VPV805CMG	Switch Contact Plate
4	VPV811CMG	Non Drive Endshield
5	VPV812CMG	Cooling Fan
6	VPV813CMG	Cowl
7	VPV807CMG	Manual Reset
8	VPV818CMG	Capacitor Box Cover
9	VPV796CMG	Run Capacitor
10	VPV798CMG	Start Capacitor
11	VPV817CMG	Capacitor Box Base
12	VPV224CMG	Rotor (Coro & Shaft){Not available as spare parts}

WARRANTY POLICY

1. When a warranty repair is requested, the purchaser must first contact any of Polivac's authorized Service Centres with proof of purchase and details of the alleged defect. In most instances, the request for warranty brought to the attention of our Service Centres or Agents is handled in a prompt routine manner with no question as to its validity. However, some requests for warranty are not justified. In these cases, product owners will be made aware that the premature failure of their product was the result of a cause not covered by Warranty.
2. The Polivac warranty covers only DEFECTIVE MATERIAL and/or DEFECTIVE WORKMANSHIP. It does not cover labour.
3. Polivac products are warranted for twelve (12) months from date of purchase by the original purchaser against faulty workmanship or material. The warranty covers only the replacement, repair or adjustment of any part which in the opinion of Polivac fails because of a fault in materials or workmanship:
 - a) drive motors and gearbox assemblies on electrical products carry a two (2) years warranty
 - b) bodies of carpet extraction products and vacuum cleaners carry a three (3) years conditional warranty.
 - c) battery warranty of twelve (12) months is as provided by the manufacturer. Terms available on request.
4. Where the product has been rented out by a Hire or similar company, the warranty period is reduced to three (3) months.
5. This warranty does not cover service calls, travelling time or consumable parts - e.g. drive belts, chains, flexible skirts or hoses, dust bags, mains leads, brushes, buffers, buffer strips, sanding discs, light bulbs, nozzles, filters, pressure pumps, piston seals, diaphragms, squeegees and like items.
6. In the case of proprietary components used by the manufacturer in the product, such as engines, electrical motors, chargers and the like, Polivac will pass on any warranty provided by the manufacture of such items.
7. Accidental damage, abuse, misuse or neglect of the product is not covered by warranty.
8. Fair wear and tear and where the product has been used other than for the purpose for which it was designed is not covered by warranty.
9. Use of non-approved chemicals and detergents in the product will void the warranty.
10. Products that have been modified are not covered by warranty.
11. Products that have not been serviced at their recommended intervals by an authorised Polivac Service Centre or Agent are not covered by warranty
12. Damage to, or failure of, the product which has resulted from low or high voltage, the use of an incorrectly sized extension lead, or a coiled electrical extension lead is not covered by warranty.
13. Repairs carried out on the product by any person other than an authorized Polivac repairer will void the warranty.
14. All freight charges to and from the manufacturer, agent or service centre will be the responsibility of the distributor.
15. A charge for traveling time and labour will be applicable for on-site warranty service.
16. Polivac reserves the right to replace defective parts of the product with parts or components of similar quality, grade and composition where an identical part or component is not available. Goods presented for repair may be replaced by refurbished goods of the same type rather than being repaired.

POLIVAC WARRANTY IS SUBJECT TO THE LAWS AND REGULATIONS OF THE INDIVIDUAL STATES AND COMMONWEALTH TERRITORIES OF AUSTRALIA. THIS WARRANTY IS NOT TRANSFERRABLE.